

## Spray Head ASP-250



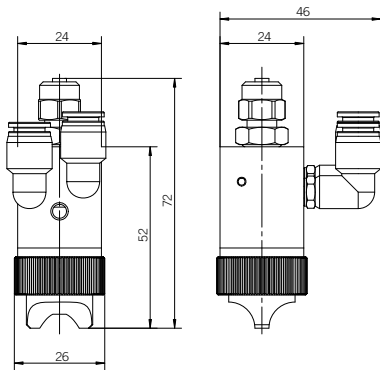
### Equipment Features

- Very small design
- Universal spray head for low-viscosity media
- Fast intermittent application
- Long service life
- Electronic control

### Fields of Application

- Print processing
- Packaging
- Foil gluing
- Special machines
- Graphic industry

## Description



## Characteristics

- Intermittent spray application
- Wide and round spray jet
- Nozzle turnable
- Very small design
- Inlet for medium and 2x spray air
- Easy to clean (non-stick coating)
- Heatable (optional)

## Technical Data

Frequency	Up to 600 Hz (depending on media)
Temperature range	0 – 55 °C
Adhesive connection	G1/8, hose - out-side diameter 6 mm
Adhesive pressure	0 – 10 bar
Nozzle Ø	0.2 mm, 0.3 mm, 0.4 mm (others available on request)
Field of application	for low-viscosity media